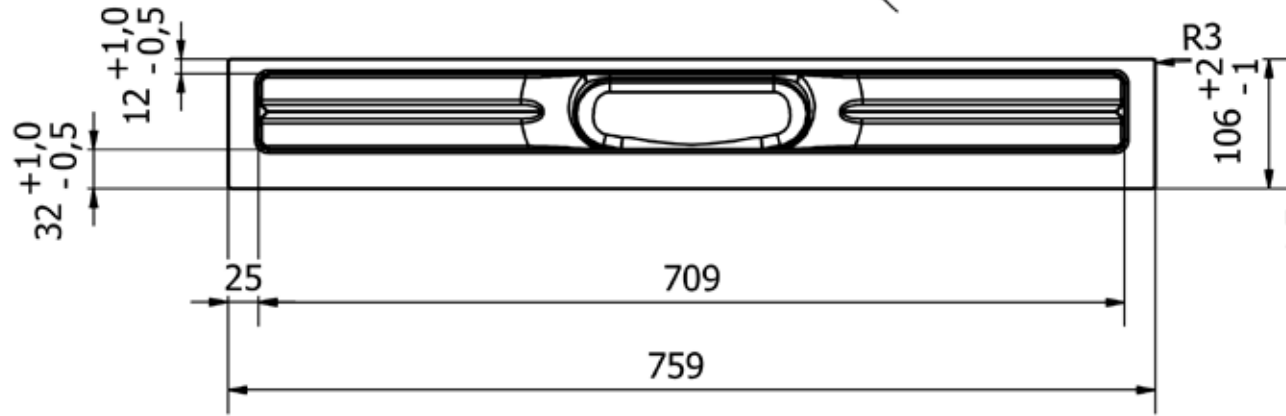
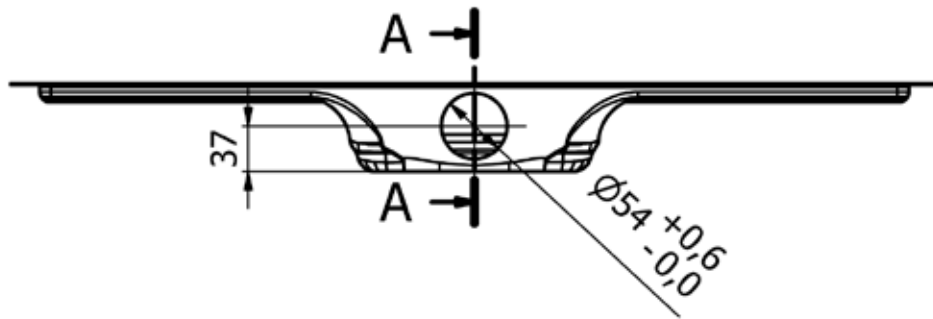
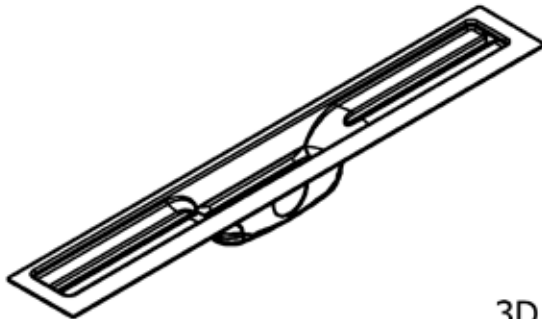
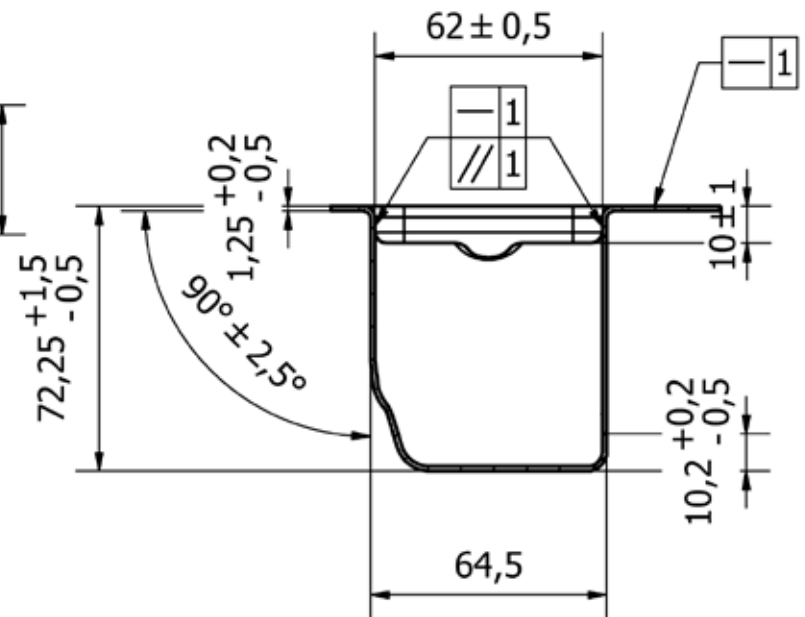


# Weber Designbrunn 70 cm

Overall tolerance  
 0-100 +/- 0.5  
 100-500 +/- 1  
 500-1000 +/- 1.5



## A-A ( 1/2 )



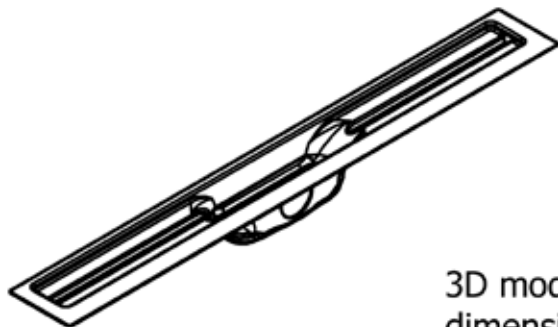
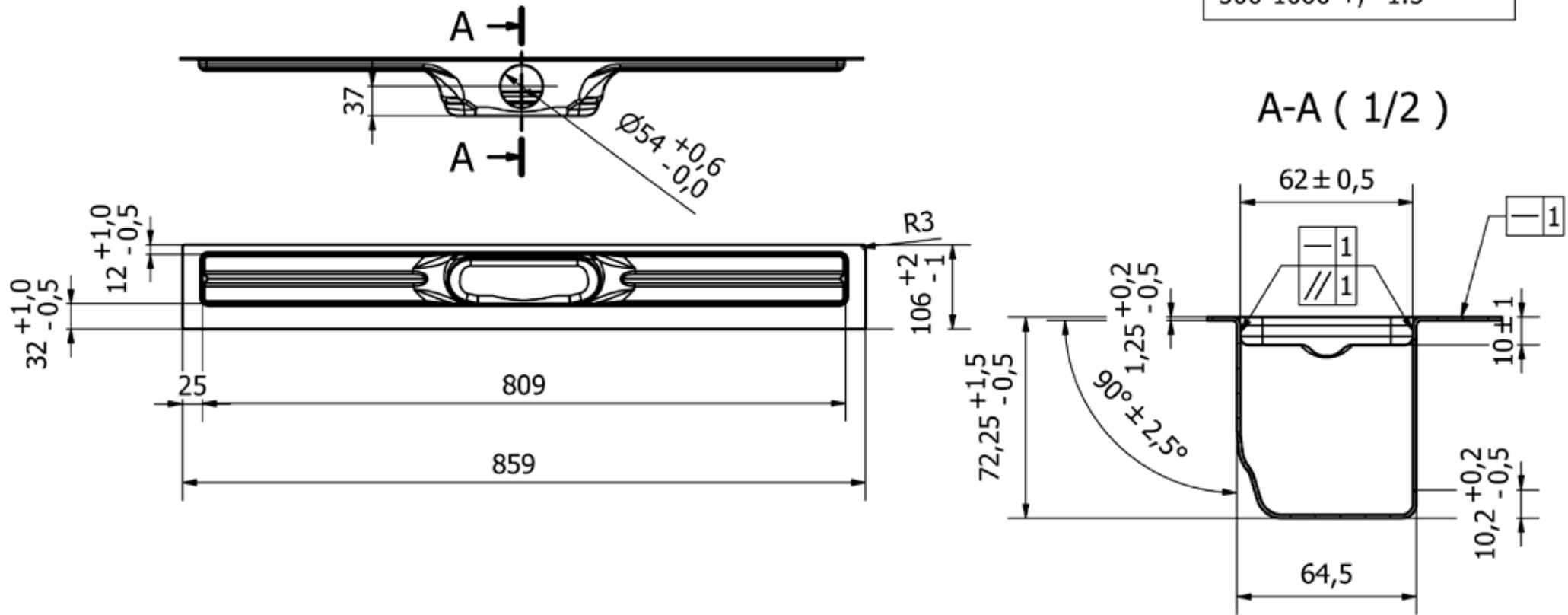
3D model is leading not mentioned  
 dimensions following overall  
 tolerance of NEN-ISO 2768-1 class m

Saint-Gobain Sweden AB  
 Box 415, 191 24 Sollentuna. Tel: 08-625 61 00,  
 www.weber.se



# Weber Designbrunn 80 cm

Overall tolerance  
 0-100 +/- 0.5  
 100-500 +/- 1  
 500-1000 +/- 1.5



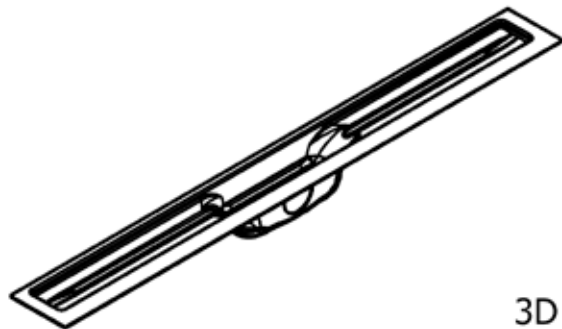
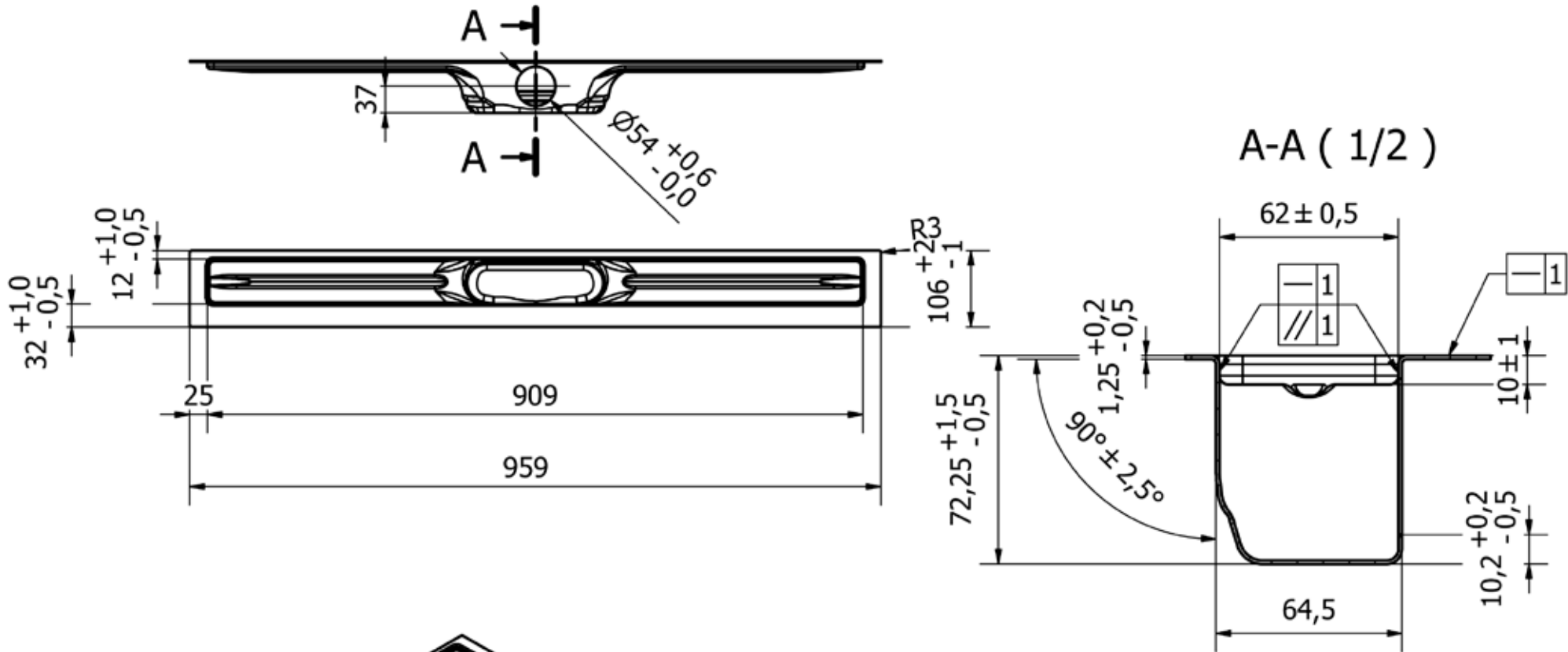
3D model is leading not mentioned dimensions following overall tolerance of NEN-ISO 2768-1 class m

Saint-Gobain Sweden AB  
 Box 415, 191 24 Sollentuna. Tel: 08-625 61 00,  
[www.weber.se](http://www.weber.se)



# Weber Designbrunn 90 cm

Overall tolerance
0-100 +/- 0.5
100-500 +/- 1
500-1000 +/- 1.5



3D model is leading not mentioned dimensions following overall tolerance of NEN-ISO 2768-1 class m

Saint-Gobain Sweden AB  
 Box 415, 191 24 Sollentuna. Tel: 08-625 61 00,  
[www.weber.se](http://www.weber.se)

